



Aluminum

BUILDING PRODUCTS



Window Trim • Frieze Board • Drip Edge
Channels • Trim Coil • Gutter • Soffit • Fascia

WELCOME TO HOLMES MANUFACTURING

The story behind Holmes Manufacturing begins back in 1984 when three men and a truck set out to install vinyl siding. The idea was to offer something different from our competitors, but the question was what. We began to focus on production efficiency. This timesaving pattern of thinking inspired us to constantly design and create new accessories ahead of time that would speed up installation on the jobsite. Much thought and ingenuity went into this pre-making of products, all of which helped improve our efficiency in installation.

The story doesn't end here. We realized that other contractors who were spending time and effort making their accessories on-site might have an interest in purchasing the line of products we designed, manufactured and kept on hand. That's how it came about that three men and a truck took their timesaving products to the local market.

What makes us unique? Simply this...we began as an install company and advanced into mass production, which means our products were designed and perfected by installers for installers. In the past our install company has worked on over 40,000 houses across Ohio. It was critical for us to have no callback or service issues, and our hands-on experience gave us the ability to design accordingly. At Holmes Manufacturing, our products have been time-tested to perform.

OUR COMMITMENT

Here at Holmes Manufacturing we are committed to providing you with the products you need, service that is better than you expect and the quality you deserve. We pride ourselves in our ability to service your everyday needs and our willingness to help with those small custom orders that are important to your customers.

Since 1984 we have continually expanded our product line by adding new products and colors. We work hard to stay connected to the needs of our customers. If you don't see a product in the catalog that is important to you, please let us know. We may have it available or see the need to add it to our offering. Your feedback is taken seriously and is important to us.



CONTENTS

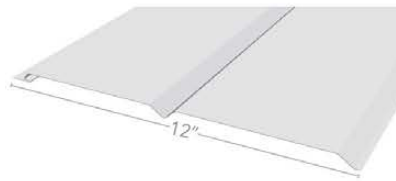
soffit	4-5
fascia	6-8
trim channel	9-10
gable frieze board.....	11
door trim	12
window trim.....	13
trim nails / siding starter.....	14
drip edge / gutter apron	15
drip cap / flashing.....	16
flashing	17
trim coil & rain gutter coil.....	18
boxed gutter	19
rain gutter accessories	20-23
custom bending	24
product specification sheet.....	25
stock colors	26-27

Our Nominal .019 Aluminum Double 6" Soffit is made up of a H28 grade aluminum, which is harder than most, which in turn makes the panel stronger and user friendly. It is available in 22 standard colors, with special colors available upon request.



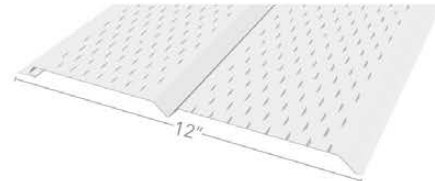
double 6 soffit .019" ALUMINUM

●●● available in all colors [see inside back cover]



SOLID

12 ft | SVPA | 16/ct | 24/skid



VENTED

12 ft | LVPA | 16/ct | 24/skid

Cut to length

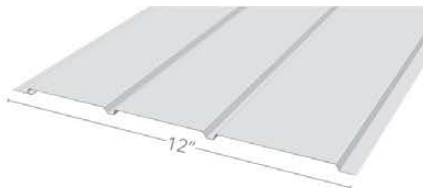
12" | SVPA12 | 30/ct
 16" | SVPA16 | 15/ct
 18" | SVPA18 | 15/ct
 24" | SVPA24 | 15/ct

Cut to length

12" | LVPA12 | 30/ct
 16" | LVPA16 | 15/ct
 18" | LVPA18 | 15/ct
 24" | LVPA24 | 15/ct

triple 4 soffit .019" ALUMINUM

●●● available in all colors [see inside back cover]



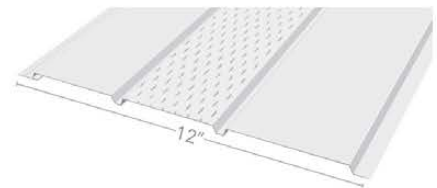
SOLID

12 ft | SVPAT4 | 16/ct | 24/skid



FULL VENT

12 ft | LVPAT4 | 16/ct | 24/skid



CENTER VENT

12 ft | CVPAT4 | 16/ct | 24/skid

Cut to length

12" | SVPAT412 | 30/ct
 16" | SVPAT416 | 15/ct
 18" | SVPAT418 | 15/ct
 24" | SVPAT424 | 15/ct

Cut to length

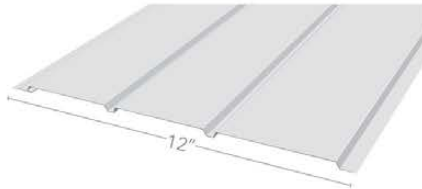
12" | LVPAT412 | 30/ct
 16" | LVPAT416 | 15/ct
 18" | LVPAT418 | 15/ct
 24" | LVPAT424 | 15/ct

Cut to length

12" | CVPAT412 | 30/ct
 16" | CVPAT416 | 15/ct
 18" | CVPAT418 | 15/ct
 24" | CVPAT424 | 15/ct

triple 4 3/8 soffit .019" ALUMINUM

●●● available in all colors [see inside back cover]



SOLID

12 ft | **SVPAT438** | 16/ct | 24/skid

Cut to length

12" | **SVPAT43812** | 30/ct
16" | **SVPAT43816** | 15/ct
18" | **SVPAT43818** | 15/ct
24" | **SVPAT43824** | 15/ct

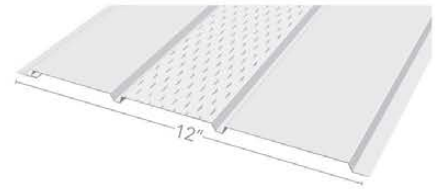


FULL VENT

12 ft | **LVPAT438** | 16/ct | 24/skid

Cut to length

12" | **LVPAT43812** | 30/ct
16" | **LVPAT43816** | 15/ct
18" | **LVPAT43818** | 15/ct
24" | **LVPAT43824** | 15/ct



CENTER VENT

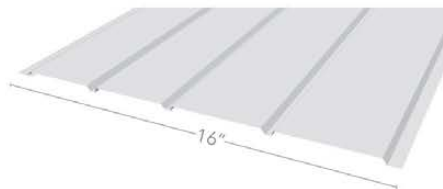
12 ft | **CVPAT438** | 16/ct | 24/skid

Cut to length

12" | **CVPAT43812** | 30/ct
16" | **CVPAT43816** | 15/ct
18" | **CVPAT43818** | 15/ct
24" | **CVPAT43824** | 15/ct

quad 4 3/8 soffit .019" ALUMINUM

●●● available in all colors [see inside back cover]

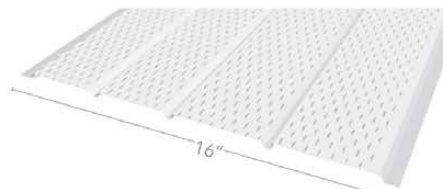


SOLID

12 ft | **SVPAQ4** | 12/ct | 24/skid

Cut to length

12" | **SVPAQ412** | 30/ct
16" | **SVPAQ416** | 15/ct
18" | **SVPAQ418** | 15/ct
24" | **SVPAQ424** | 15/ct

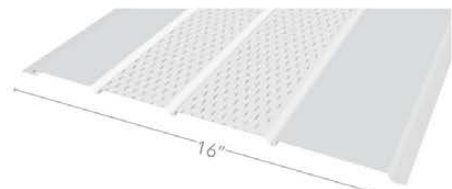


FULL VENT

12 ft | **LVPAQ4** | 12/ct | 24/skid

Cut to length

12" | **LVPAQ412** | 30/ct
16" | **LVPAQ416** | 15/ct
18" | **LVPAQ418** | 15/ct
24" | **LVPAQ424** | 15/ct



CENTER VENT

12 ft | **CVPAQ4** | 12/ct | 24/skid

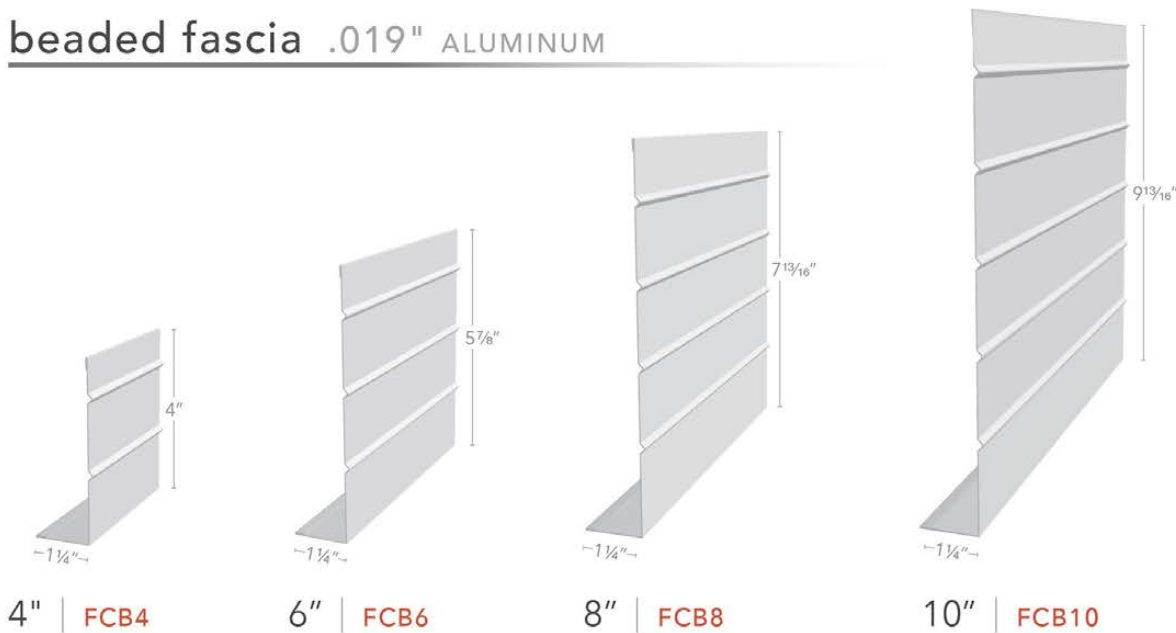
Cut to length

12" | **CVPAQ412** | 30/ct
16" | **CVPAQ416** | 15/ct
18" | **CVPAQ418** | 15/ct
24" | **CVPAQ424** | 15/ct

Our Nominal
.019

Aluminum Fascia is available in 4 different sizes, 4", 6", 8" and 10". It is produced with H28 grade aluminum and with a rib system that highly resists oil canning. It has a 1-1/4" hemmed soffit leg which gives you more coverage and a more durable piece.

beaded fascia .019" ALUMINUM



4" | **FCB4**

6" | **FCB6**

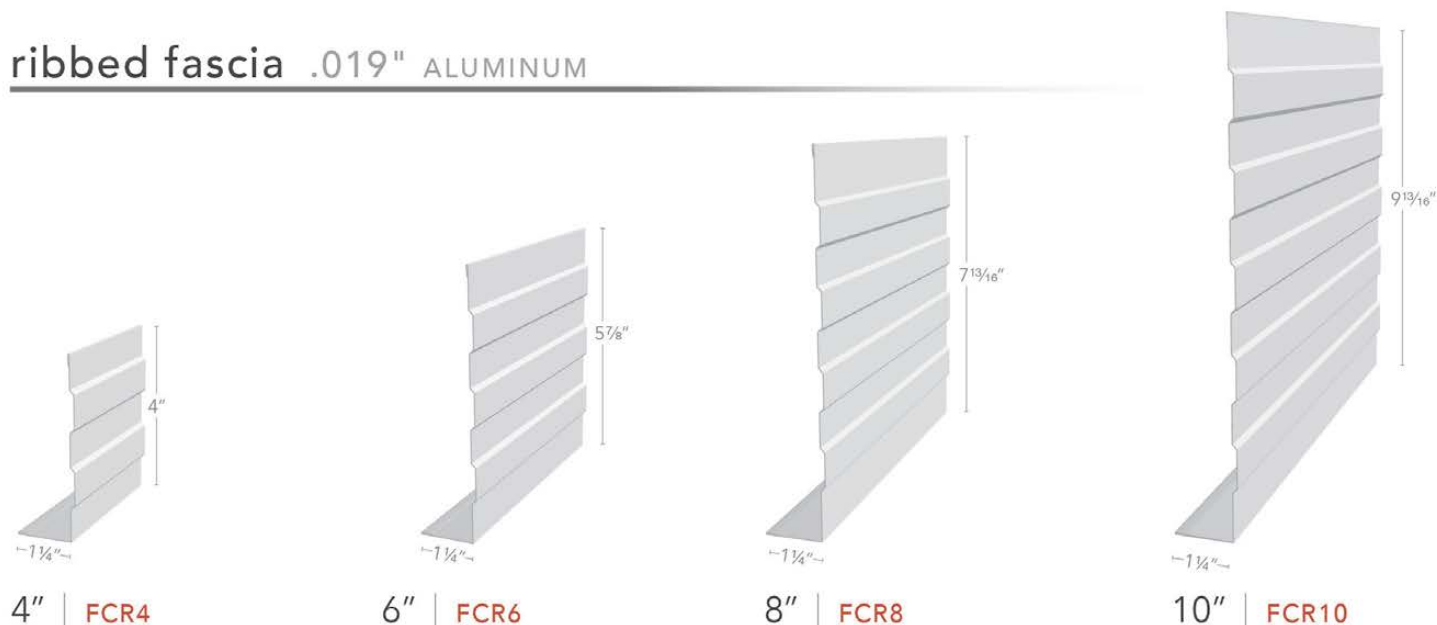
8" | **FCB8**

10" | **FCB10**

12' length
25 per carton

available in all colors
SEE INSIDE BACK COVER

ribbed fascia .019" ALUMINUM



4" | **FCR4**

6" | **FCR6**

8" | **FCR8**

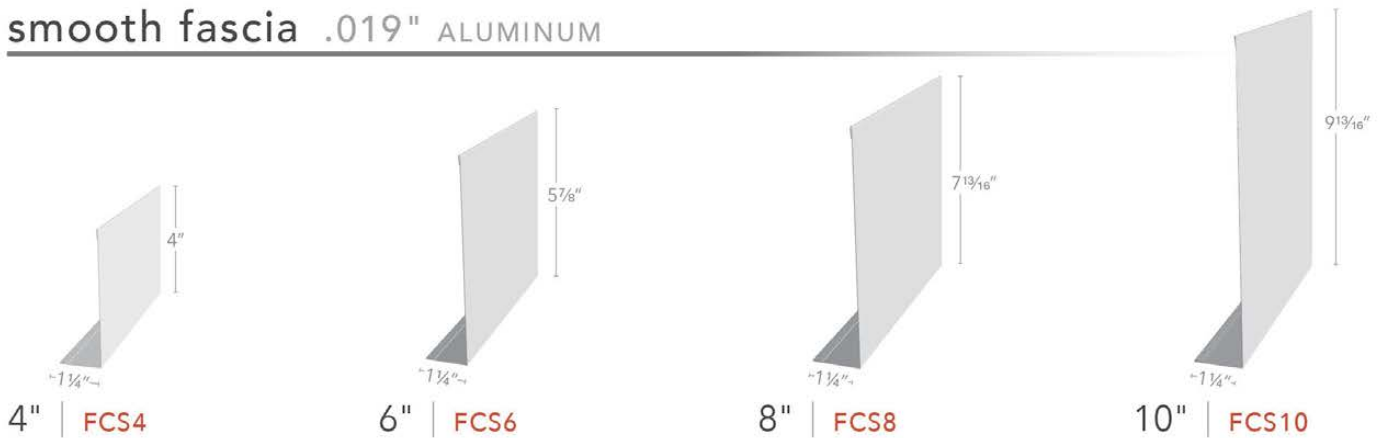
10" | **FCR10**

12' length
25 per carton

available in all colors
SEE INSIDE BACK COVER

FASCIA

smooth fascia .019" ALUMINUM



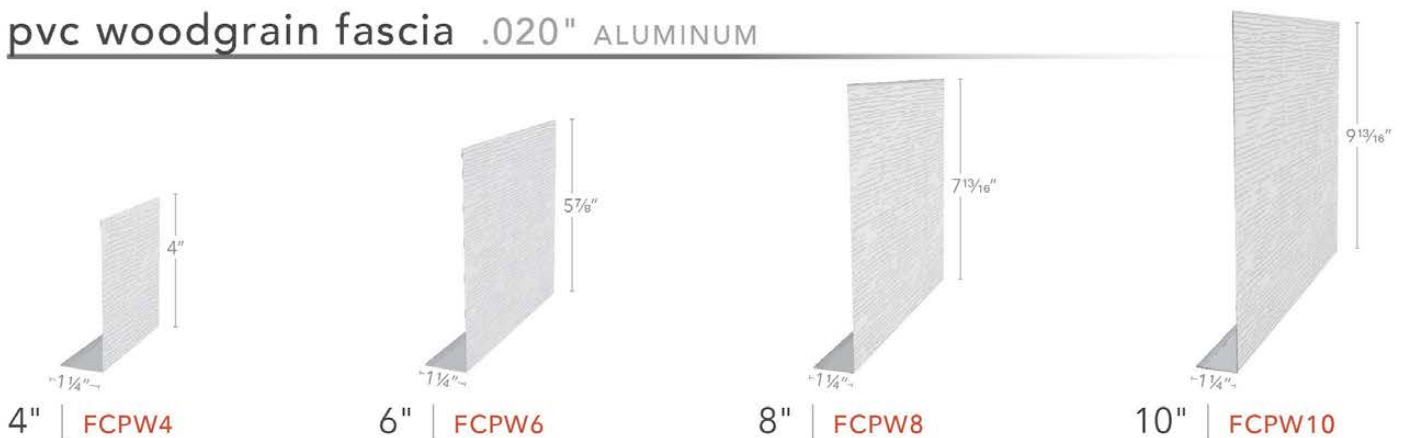
woodgrain embossed fascia .019" ALUMINUM



available in all colors
SEE INSIDE BACK COVER

12' length
25 per carton

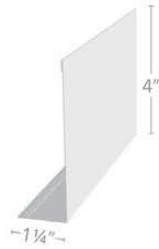
pvc woodgrain fascia .020" ALUMINUM



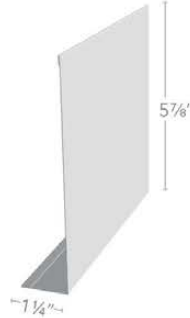
available in
● WHITE
CUSTOM COLORS AVAILABLE

12' length
25 per carton

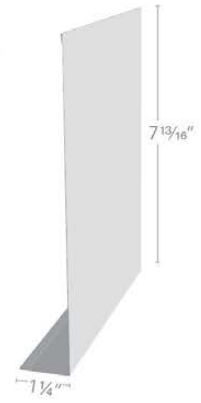
smooth fascia **HD** .024" ALUMINUM



4" | **FCHS4**

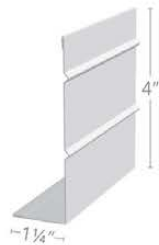


6" | **FCHS6**

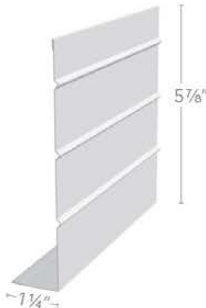


8" | **FCHS8**

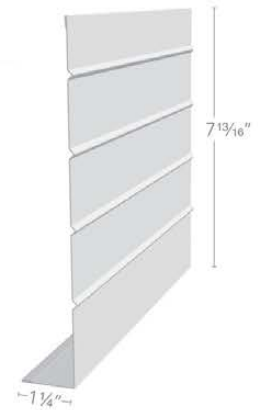
beaded fascia **HD** .024" ALUMINUM



4" | **FCHB4**

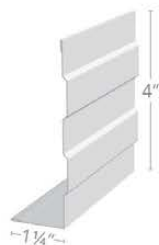


6" | **FCHB6**

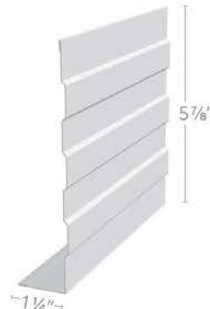


8" | **FCHB8**

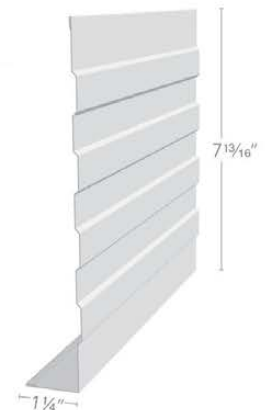
ribbed fascia **HD** .024" ALUMINUM



4" | **FCHR4**



6" | **FCHR6**



8" | **FCHR8**

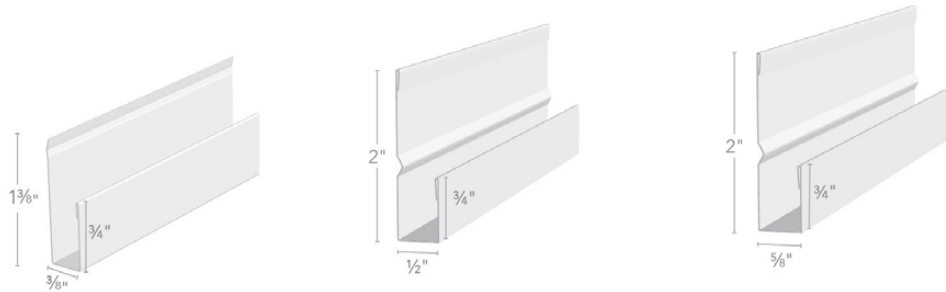
12' length
25 per carton

available in **WHITE** ●
MUSKET BROWN ●
BLACK ●

TRIM CHANNEL

Our Aluminum J Channel is available in 1/2" and 5/8". It has an extra wide nailing flange for easier install and is hemmed on both edges, creating a safe and durable piece.

J channel .019" ALUMINUM



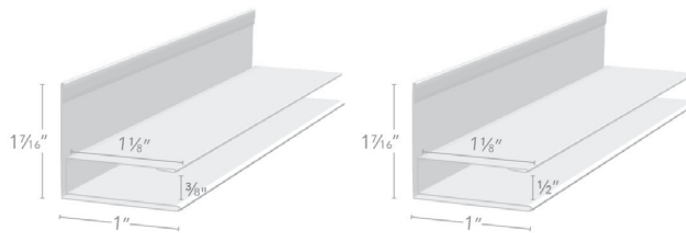
3/8" | J38

1/2" | J12

5/8" | J58

Our double hemmed 1/2" Aluminum F Channel, with a longer upper leg to create a stop for your soffit, makes it a user friendly piece with no sharp edges and a easy install for your soffit.

F channel .019" ALUMINUM

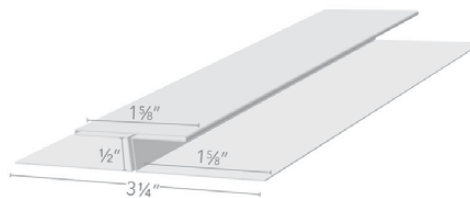


3/8" | F38

1/2" | F12



double channel runner .019" ALUMINUM



| DCR12



Double Channel Runner

10' length

10 per carton

available in all colors

SEE INSIDE BACK COVER

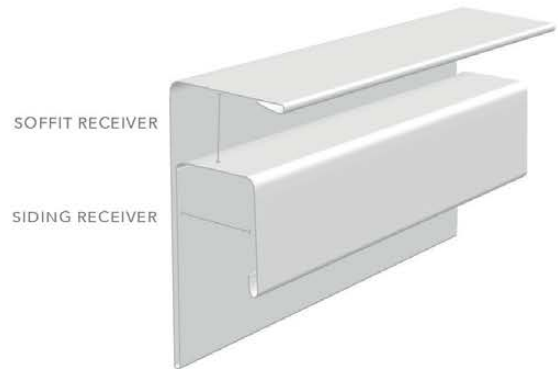
12' length

25 per carton

TRIM CHANNEL



JF channel .019" ALUMINUM



	1/2" soffit
3/4" siding receiver	JF34

The JF Channel eliminates the need for the F Channel and the J Channel on the gable ends of your residential and commercial buildings. It makes for an easier install by using 1 piece vs. 2, which saves you time and money. In turn, it gives your project a clean and professional look.

12' length
25 per carton

available in all colors
SEE INSIDE BACK COVER

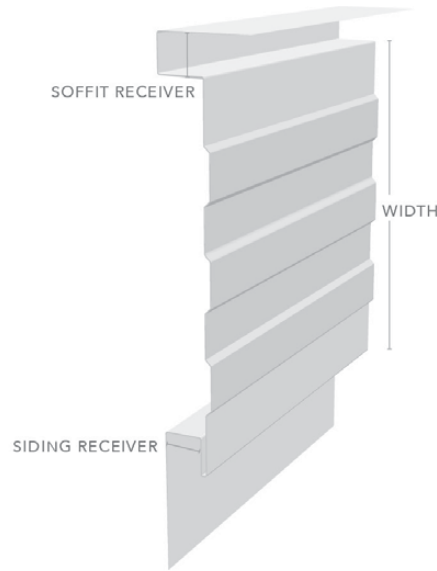
	1/2" soffit	5/8" soffit	3/4" soffit
3/4" siding receiver		JF3458	JF3434
7/8" siding receiver	JF78	JF7858	JF7834
1 1/8" siding receiver	JF118	JF11858	JF11834
1 1/4" siding receiver	JF114	JF11458	JF11434
1 1/2" siding receiver	JF112	JF11258	JF11234

10' length
30 per carton

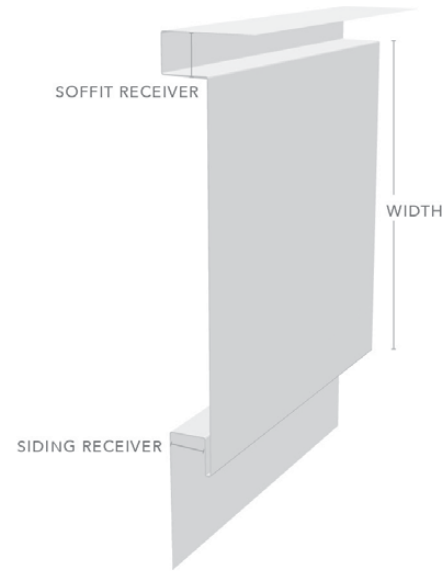
available in all colors
SEE INSIDE BACK COVER

GABLE FRIEZE BOARD

Our Gable Frieze Board is a great piece to add value to your next project. It comes in 3 different widths, 4", 6" and 8". It eliminates the need for a 1x, Coil Stock, J Channel and F Channel. It makes for an easy install by using 1 piece vs. 4, which saves you time and money. In turn, it gives curb appeal to your next project.



GFB



GFBS

Gable Frieze Board Item Numbers

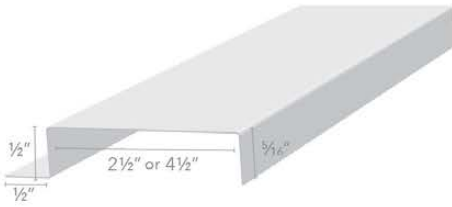
Begin each item# with GFB or GFBS when ordering below

soffit receiver		1/2" soffit			5/8" soffit			3/4" soffit		
width		4"	6"	8"	4"	6"	8"	4"	6"	8"
siding receiver	3/4"	4	6	8	43458	63458	83458	43434	63434	83434
	1 1/8"	4118	6118	8118	411858	611858	811858	411834	611834	811834
	1 1/4"	4114	6114	8114	411458	611458	811458	411434	611434	811434
	1 1/2"	4112	6112	8112	411258	611258	811258	411234	611234	811234

available in all colors
SEE INSIDE BACK COVER

10' length
10 per carton

DOOR TRIM

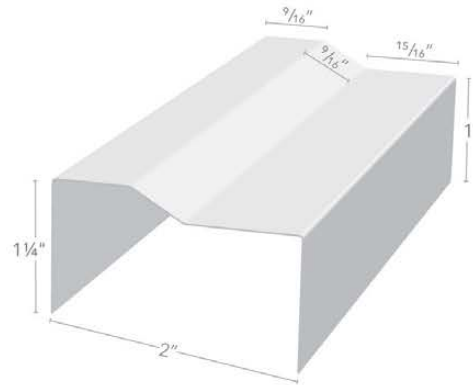


2 1/2" jamb cover

| JC2127

4 1/2" jamb cover

| JC4127



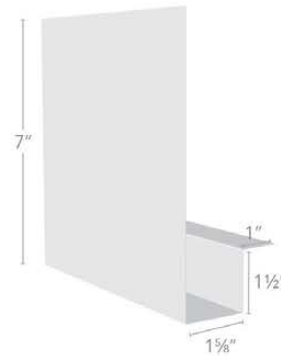
brick mold cover

| BMC7



7' length
10 per carton

available in all colors
SEE INSIDE BACK COVER



overhead door trim

| OHDT7

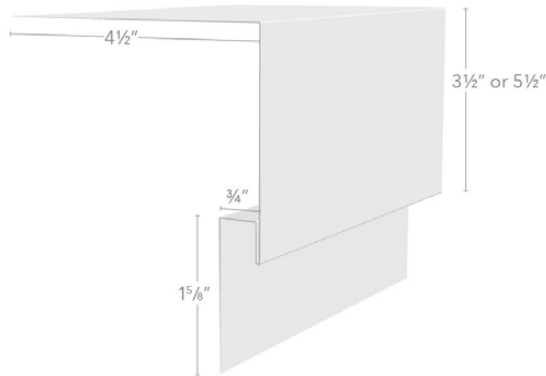
10' length
4 per carton

available in all colors
SEE INSIDE BACK COVER

WINDOW TRIM

The aluminum window trim is available in 2 widths, 3-1/2" and 5-1/2". It comes in 10' lengths and can receive up to a 3/4" butt siding. It is designed to fit into the J Channel on a new construction window, which gives the window a nice clean appearance. It can also be used on windows without a J Channel by placing small pieces of starter strip around the window to hold the inside edge. It is available in our 22 standard colors. Other colors available upon request.

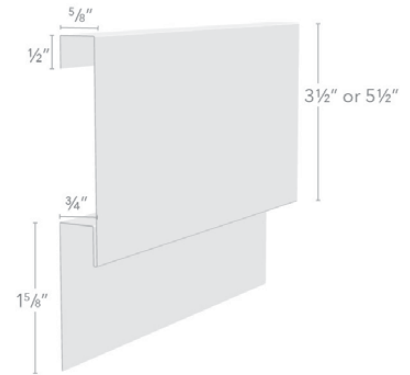
flush window trim .019" ALUMINUM



for replacement windows

3 1/2" | **RWT35**

5 1/2" | **RWT55**

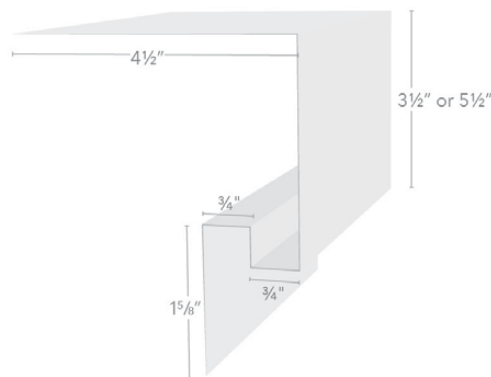


for new construction windows

3 1/2" | **WT35**

5 1/2" | **WT55**

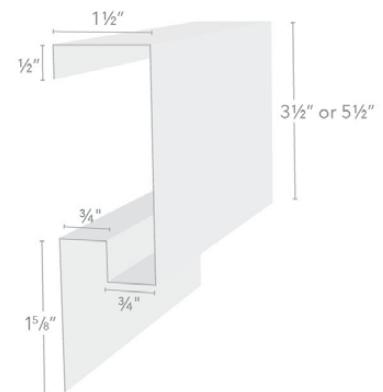
board effect window trim .019" ALUMINUM



for replacement windows

3 1/2" | **RBEWT35**

5 1/2" | **RBEWT55**



for new construction windows

3 1/2" | **NBEWT35**

5 1/2" | **NBEWT55**

— available in all colors —
SEE INSIDE BACK COVER

10' length
10 per carton

TRIM NAILS / SIDING STARTER



trim nails



stainless steel

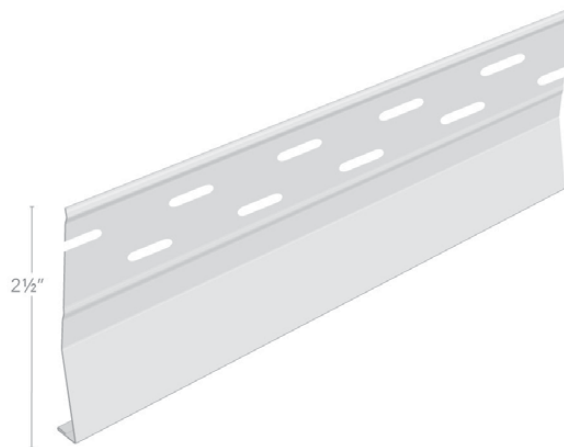
1¼" | TN

1¾" | TN134 (WHITE ONLY)

— available in all colors —

SEE INSIDE BACK COVER

siding starter



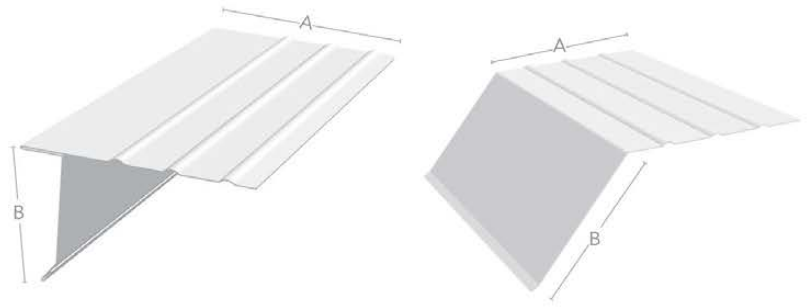
aluminum siding starter

| ASTART

10' length
50 per carton

DRIP EDGE/GUTTER APRON

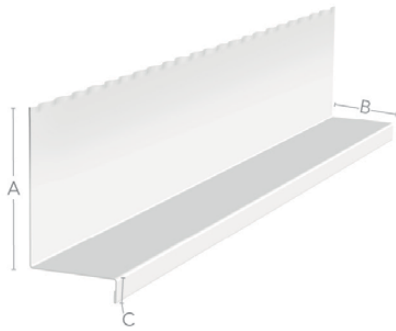
Drip Edge is used to protect and cover the exposed edge of the roofline. Helps prevent water backup under the shingles.



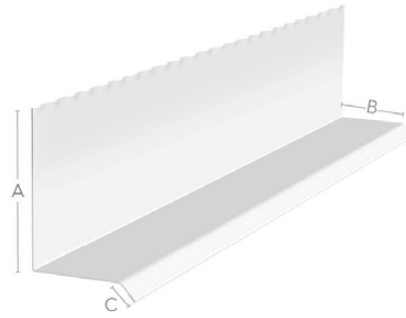
Drip Edge						Available Colors
Code	A	B	Nom.	per/carton	carton/pallet	
DE118	2 $\frac{1}{8}$ "	1 $\frac{1}{8}$ "	.019"	50	36	— available in all colors — SEE INSIDE BACK COVER
DE112	2 $\frac{1}{8}$ "	1 $\frac{1}{2}$ "	.019"	50	36	
DE134	2 $\frac{1}{8}$ "	1 $\frac{3}{4}$ "	.019"	50	36	
DE200	2 $\frac{1}{8}$ "	2"	.019"	25	36	
DEWF134	3 $\frac{1}{2}$ "	1 $\frac{3}{4}$ "	.019"	35	36	
Gutter Apron						
GA214	2 $\frac{3}{4}$ "	2 $\frac{1}{4}$ "	.019"	25	90	



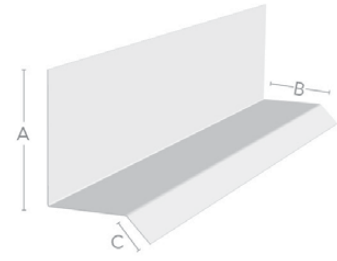
DRIP CAP/FLASHING



z bar drip



drip cap



apron flashing

Z-Bar Flashing

Code	Description	Length	Nom.	A	B	C	per/carton	carton/pallet
ZB516	5/16" Z-Bar	10'	.019"	1 3/4"	5/16"	3/8"	50	50
ZB38	3/8" Z-Bar			1 3/4"	3/8"			
ZB58	5/8" Z-Bar			2"	5/8"			
ZB34	3/4" Z-Bar			1 7/8"	3/4"			
ZB1	1" Z-Bar			1 5/8"	1"			
ZB118	1 1/8" Z-Bar			1 1/2"	1 1/8"			
ZB114	1 1/4" Z-Bar			2"	1 1/4"			
ZB112	1 1/2" Z-Bar			1 3/4"	1 1/2"			
ZB134	1 3/4" Z-Bar			2 1/8"	1 3/4"			
ZB2	2" Z-Bar			1 7/8"	2"			
ZB212	2 1/2" Z-Bar			2"	2 1/2"			

Drip Cap Flashing

Code	Description	Length	Nom.	A	B	C	per/carton	carton/pallet
DC516	5/16" Drip Cap	10'	.019"	1 3/4"	5/16"	3/8"	50	50
DC38	3/8" Drip Cap			1 3/4"	3/8"			
DC58	5/8" Drip Cap			2"	5/8"			
DC34	3/4" Drip Cap			1 7/8"	3/4"			
DC1	1" Drip Cap			1 5/8"	1"			
DC118	1 1/8" Drip Cap			1 1/2"	1 1/8"			
DC114	1 1/4" Drip Cap			2"	1 1/4"			
DC112	1 1/2" Drip Cap			1 3/4"	1 1/2"			
DC134	1 3/4" Drip Cap			2 1/8"	1 3/4"			
DC2	2" Drip Cap			1 7/8"	2"			
DC212	2 1/2" Drip Cap			2"	2 1/2"			

Apron Flashing

AF2	2" Apron Flashing	10'	.019"	3"	2"	3/8"	30	50
-----	-------------------	-----	-------	----	----	------	----	----

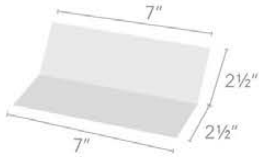
other colors available on request

available in

161 WHITE
271 ROYAL BROWN

FLASHING

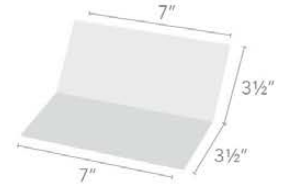
pre-bent .019" ALUMINUM



5"x7" | **PB57**



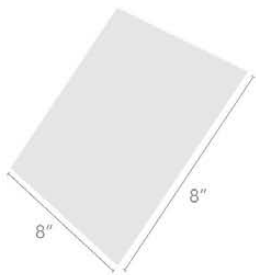
8"x8" | **PB88**



7"x7" | **PB77**

MILL FINISH
425 BLACK FINISH
271 ROYAL BROWN

500 per carton

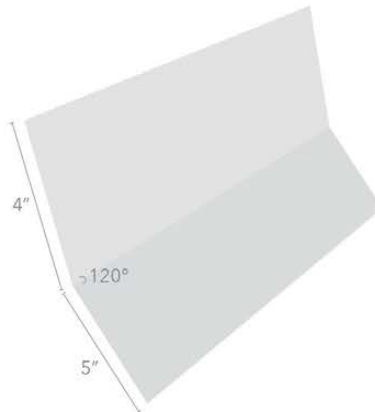


flat shingle flashing

ASF88BKRB

500 per carton

BROWN / BLACK



5" Porch Flashing

PF45

10' length / 30 per carton

available in all colors
SEE INSIDE BACK COVER



roll flashing

	.011 mill finish	.019 royal brown
10"x10'	ARV1010ML	HMC1010RBR
14"x10'	ARV1410ML	HMC1410RBR
20"x10'	ARV2010ML	
10"x50'	ARV10ML	HMC10RBR
14"x50'	ARV14ML	HMC14RBR
20"x50'	ARV20ML	

trim coil ALUMINUM

Our 24" Aluminum Trim Coil is a 3105 alloy with a hardness of H28. Please see the color chart inside the back cover for the colors available in Poly and PVC Trim Coil colors. Other colors available upon request.



.020" PVC Woodgrain
| HMPVC24



.019" Smooth Poly
| HMC24



.024"
| HM024C24



.019" "DuraCoil" Lightly Textured
| HMDC24

50' length / 32 coils per skid

SEE INSIDE BACK COVER

50' length / 32 coils per skid

161 WHITE

50' length / 32 coils per skid

8782 CLASSIC BRONZE
2026 SANDSTONE
9327 COLONIAL WHITE
2021 SANDPIPER BEIGE

rain gutter coil .027" ALUMINUM



15" width
| 027GC6

2 rolls per skid / 300-350 lbs

6235 CLAY	9399 BURNISHED SLATE
9214 SANDALWOOD	4171 TUXEDO GRAY
TWK30° WHITE	0271 ROYAL BROWN
	200 BLACK

11¾" width
| 027GC

3 rolls per skid / 300-350 lbs

— for color availability —
SEE INSIDE BACK COVER

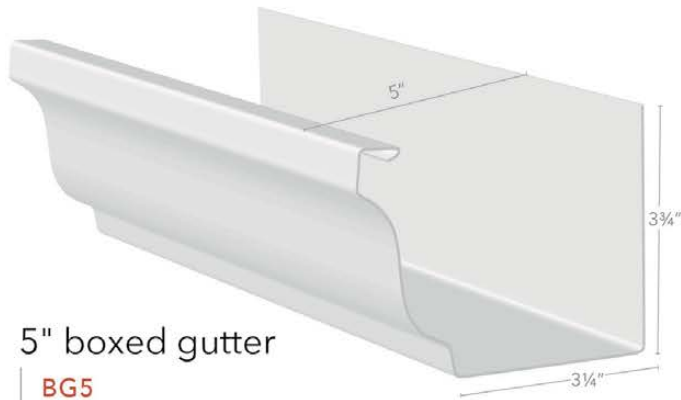
11¾" width Mini
| 027MGC

150' per roll / 56 lbs

— for color availability —
SEE INSIDE BACK COVER

BOXED GUTTER

5" boxed gutter .027" ALUMINUM



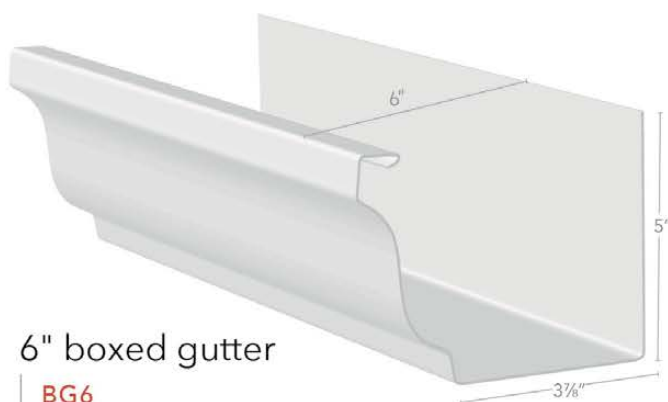
5" boxed gutter

BG5

Available in
10', 16' & 21' lengths
10 per carton

available in all colors
SEE INSIDE BACK COVER

6" boxed gutter .027" ALUMINUM



6" boxed gutter

BG6

Available in
10', 16' & 21' lengths
5 per carton

CALL FOR COLOR AVAILABILITY

RAIN GUTTER ACCESSORIES



elbows .019" ALUMINUM

offset elbows .019" ALUMINUM



A		B		A offset		B offset					
2"x3"		23AEL (30 PER CARTON)	2"x3"		23BEL (30 PER CARTON)	2"x3"		23AOEL (55 PER CARTON)	2"x3"		23BOEL (55 PER CARTON)
3"x4"		34AEL (20 PER CARTON)	3"x4"		34BEL (20 PER CARTON)	3"x4"		34AOEL (40 PER CARTON)	3"x4"		34BOEL (40 PER CARTON)

TWK30° WHITE | LOW GLOSS
 TWK80° WHITE | HIGH GLOSS

available in all colors

SEE INSIDE BACK COVER

downspout .019" ALUMINUM



2"x3" | 23D
 3"x4" | 34D



outlet tube
 2"x3" | 2X3OUT
 3"x4" | 3X4OUT



round outlet tube
 2¾" | 234ROUT
 3⅜" | 338ROUT

10' length / 10 per carton

available in all colors

SEE INSIDE BACK COVER

50 per carton

2¾" - 250 per carton
 3⅜" - 100 per carton

RAIN GUTTER ACCESSORIES



inside box miter

5" | **5IBM**
6" | **6IBM**



outside box miter

5" | **5OBM**
6" | **6OBM**



left end cap

5" | **5LECAP**
6" | **6LECAP**



right end cap

5" | **5RECAP**
6" | **6RECAP**

6" PRODUCTS

6235	CLAY	9399	BURNISHED SLATE
9214	SANDALWOOD	4171	TUXEDO GRAY
TWK30°	WHITE	0271	ROYAL BROWN

5" PRODUCTS

available in all colors

SEE INSIDE BACK COVER

20 pieces per carton
end caps - 50 pieces per carton



inside strip miter

5" | **5ISM**
6" | **6ISM**



outside strip miter

5" | **5OSM**
6" | **6OSM**



inside bay miter

5" | **5IBSM**
6" | **6IBSM**



outside bay miter

5" | **5OBSM**
6" | **6OBSM**

20 pieces per carton

TWK30° WHITE



slip joint connector

| **SJC5**

50 per carton

271 ROYAL BROWN
TWK30° WHITE



5" fascia brackets

| **FB5WH**

100 per carton

TWK30° WHITE



roof straps

| **BH9**

100 per carton



universal pipe bands

| **DSS**

100 per carton

— available in all colors —

SEE INSIDE BACK COVER



funnel

2"x3" | **FUNWH3**

3"x4" | **FUNWH4**

12 per carton

TWK30° WHITE

RAIN GUTTER ACCESSORIES



6 x 3/8" stainless steel screws

| ZSS6

1000 per carton



caulking

| GS121WH

12 per carton



touchup paint

12 oz | SPRP

12 per carton



1 1/2" resist screw

| BSR912

500 per carton



5" gutter hanger

| RHBC5

6" gutter hanger

| RHBC6

1000 per carton



5" hidden hanger with screw | RHFWS5

6" hidden hanger with screw | RHFWS6

500 per carton

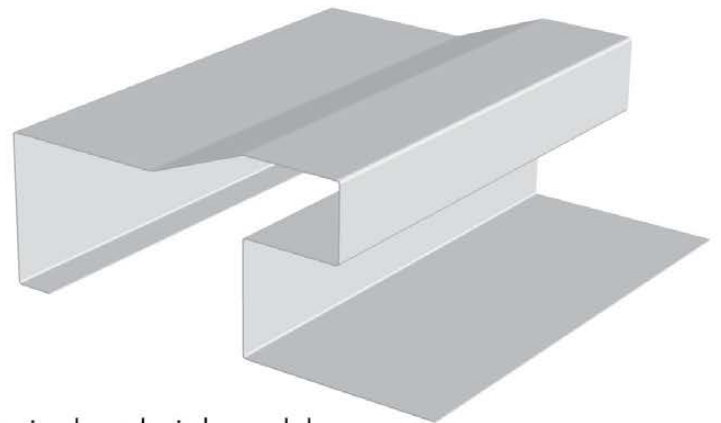
Screw not included. See BSR912.



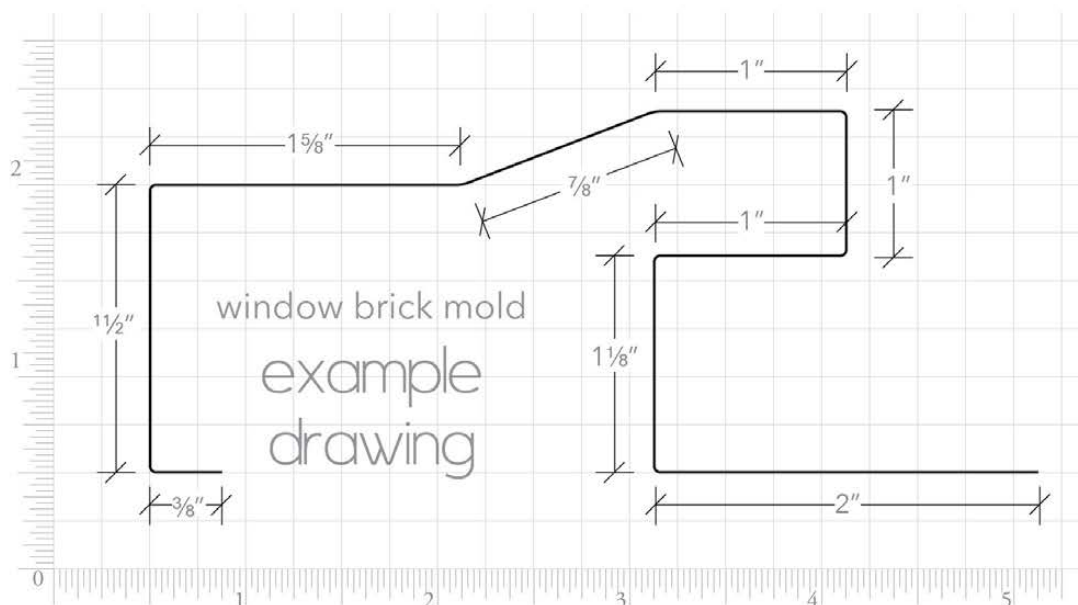
With 30 years experience in manufacturing aluminum products, our slogan here at Holmes Manufacturing has become 'You draw it, we'll bend it'. Custom bent products are available upon request, from porch beam wraps and flashings of all types to special window trims. Our employees take pride in their ability to design and create custom bent products that exceed your expectations.



porch beam wrap



window brick mold



product specification sheet

Metal Specifications

aluminum alloy - 3105 | hardness - H28 | tensile strength - 28,000 psi
yield strength - 24,000 psi | gutter coil hardness - H24 | .024 coil hardness - H26

Metal Thickness

.019" nominal - soffit, fascia, accessories, and trim coil
.020" nominal - pvc trim coil
.024" nominal fascia and trim coil
.027" - gutter coil

Type of Coating

hybrid linear polyester

Gloss

Poly - 8 to 15 degree on 60 degree photovolt meter. ASTM test D523-80
PVC - 20-50 @ 60 degrees

Formability

No removal of finish with 610 Scotch tape on a 2T bend. NCCA test 11-19

Pencil Hardness

F-H

Dry Film Thickness

.60 - .80 mills

Humidity Resistance

no loss of gloss, cracking, or peeling after 1,000 hours in 100% relative humidity

Salt Spray Resistance

withstands 5% salt spray for 1,000 hours per ASTM test B117-73

Impact Resistance

No visual cracking or Scotch tape pick-off when subject to impact in inch pounds equal to 1.5 times metal thickness. NCCA test 11-6.

Exterior Exposure

Fade - shall not exceed more than 5 Color Difference Units within 5 years.
ASTM test D2244-79 Chalk. No great than No. 8 rating (excluding white)
within 5 years. ASTM test D659-74

STOCK COLORS



COLOR NAME	TRIM COIL			SMOOTH POLY PRODUCTS			GUTTER COIL
	SMOOTH POLY	DURACOIL	PVC WOODGRAIN	SOFFIT	ACCESSORIES	DRIP EDGE	
Almond/Alabaster	6237	N/A	682	STOCK	STOCK	STOCK	STOCK
Alamo White	9996	N/A	N/A	MTO	MTO	MTO	N/A
Antique White	2122	N/A	8163	STOCK	STOCK	STOCK	STOCK
Ash Grey	4362	N/A	N/A	STOCK	STOCK	STOCK	STOCK
Aspen	7272	N/A	7313	MTO	MTO	MTO	N/A
Birchwood	213	N/A	6244	MTO	STOCK	MTO	N/A
Black	200	N/A	4287	STOCK	STOCK	STOCK	STOCK
Black over Royal Brown	200BRN	N/A	N/A	N/A	N/A	N/A	N/A
Burgundy	3179	N/A	N/A	STOCK	STOCK	STOCK	STOCK
Burnished Slate	9399	N/A	N/A	STOCK	STOCK	STOCK	STOCK
Café Cream	N/A	N/A	2187	N/A	N/A	N/A	N/A
Camel	2245	N/A	6367	MTO	MTO	MTO	N/A
Canyon	9411	N/A	2145	MTO	MTO	MTO	N/A
Charcoal	9139	N/A	N/A	MTO	MTO	MTO	N/A
Chateau	2379	N/A	1372	MTO	MTO	MTO	N/A
Cherry	N/A	N/A	3171	N/A	N/A	N/A	N/A
Classic Bronze	N/A	8782	N/A	N/A	N/A	N/A	N/A
Clay	6235	N/A	9217	STOCK	STOCK	STOCK	STOCK
Clay (Door)	N/A	N/A	6455	N/A	N/A	N/A	N/A
Cocoa Brown	9240	N/A	N/A	MTO	MTO	MTO	N/A
Cream	2223	N/A	694	MTO	STOCK	MTO	N/A
Crimson Red	2167	N/A	N/A	MTO	MTO	MTO	N/A
Dark Bronze	248	N/A	N/A	STOCK	STOCK	STOCK	STOCK
Deep Brown	9519	N/A	9369	MTO	MTO	MTO	N/A
Everest	5235	N/A	5236	MTO	MTO	MTO	N/A
Forest Green	7303	N/A	7233	STOCK	STOCK	STOCK	STOCK
Gallery Blue	2627	N/A	N/A	MTO	MTO	MTO	N/A
Geneva Blue	N/A	N/A	5161	N/A	N/A	N/A	N/A
Granite	4331	N/A	4289	MTO	MTO	MTO	N/A
Gray (Door)	N/A	N/A	4422	N/A	N/A	N/A	N/A
Gray / Sterling Gray	055	N/A	463	STOCK	STOCK	STOCK	STOCK
Grecian Green	7265	N/A	N/A	STOCK	STOCK	STOCK	STOCK
Hero Blue	2692	N/A	N/A	MTO	MTO	MTO	N/A
Hunter Green	2244	N/A	N/A	MTO	MTO	MTO	N/A
Ivory	2483	N/A	N/A	MTO	MTO	MTO	N/A
Light Stone / Sandpiper	2263	2021	6379	STOCK	STOCK	STOCK	STOCK

STOCK NORMAL LEAD TIME

MTO MADE TO ORDER (CALL FOR PRICE AND LEAD TIME)

N/A NOT AVAILABLE AT THIS TIME

STOCK COLORS

COLOR NAME	TRIM COIL			SMOOTH POLY PRODUCTS			GUTTER COIL
	SMOOTH POLY	DURACOIL	PVC WOODGRAIN	SOFFIT	ACCESSORIES	DRIP EDGE	
Linen	171	N/A	170	MTO	STOCK	MTO	N/A
Mocha	9509	N/A	9517	MTO	MTO	MTO	N/A
Mountain Berry	3221	N/A	3150	MTO	MTO	MTO	N/A
Musket Brown	8226	N/A	8227	STOCK	STOCK	STOCK	STOCK
Nautica	5221	N/A	558	MTO	MTO	MTO	N/A
Night Fall	8910	N/A	0300	MTO	MTO	MTO	N/A
Oak	N/A	N/A	9340	N/A	N/A	N/A	N/A
Ocean Blue	5219	N/A	N/A	STOCK	STOCK	STOCK	N/A
Pewter	4241	N/A	4209	MTO	MTO	MTO	N/A
Pewter Gray	9136	N/A	N/A	STOCK	STOCK	STOCK	N/A
Prairie / Spice	6306	N/A	6318	STOCK	STOCK	STOCK	N/A
Premium Blue	5222	N/A	5240	MTO	MTO	MTO	N/A
Pueblo	9410	N/A	8276	MTO	MTO	MTO	N/A
Royal Brown	271	N/A	9345	STOCK	STOCK	STOCK	STOCK
Rustic Bronze	N/A	N/A	6457	N/A	N/A	N/A	N/A
Rustic Red	3189	N/A	N/A	STOCK	STOCK	STOCK	STOCK
Sage	7207	N/A	7315	MTO	MTO	MTO	N/A
Sand	241	N/A	233	STOCK	STOCK	STOCK	STOCK
Sandalwood	2244	N/A	8290	STOCK	STOCK	STOCK	STOCK
Sandpiper / Light Stone	2263	2021	6379	STOCK	STOCK	STOCK	STOCK
Sandstone	N/A	2026	9238	N/A	N/A	N/A	N/A
Sea Slate	5243	N/A	5244	MTO	MTO	MTO	N/A
Sienna	7273	N/A	6311	MTO	MTO	MTO	N/A
Stone	2275	N/A	2371	MTO	MTO	MTO	N/A
Tan	2481	N/A	N/A	MTO	MTO	MTO	N/A
Taupe	2482	N/A	N/A	MTO	MTO	MTO	N/A
Terratone	9381	N/A	N/A	STOCK	STOCK	STOCK	STOCK
Timberline	7318	N/A	7319	MTO	MTO	MTO	N/A
Tudor Brown	N/A	N/A	9338	N/A	N/A	N/A	N/A
Tuxedo Gray	4171	N/A	469	STOCK	STOCK	STOCK	STOCK
White	161	9327	1257	STOCK	STOCK	STOCK	TWK-30
White (High Gloss)	N/A	N/A	N/A	N/A	STOCK	N/A	TWL-80
Willow	7316	N/A	7317	MTO	MTO	MTO	N/A

STOCK NORMAL LEAD TIME

MTO MADE TO ORDER (CALL FOR PRICE AND LEAD TIME)

N/A NOT AVAILABLE AT THIS TIME



HOLMES MANUFACTURING

6775 County Rd 624

Millersburg, OH 44654

p 330.231.6327

f 866.671.3374

sales@holmesmanufacturing.com